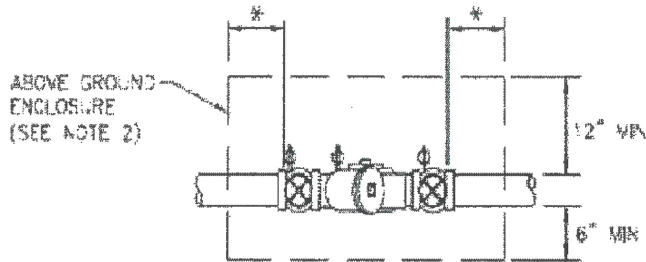


## SECTION 131.10

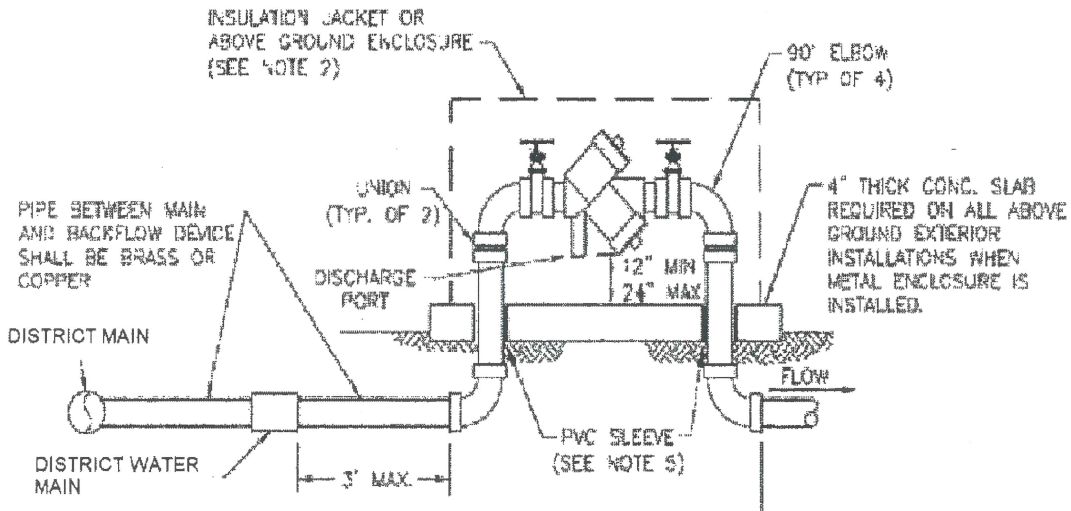
### REDUCED PRESSURE PRINCIPLE DEVICE (RPP) - 3/4" THROUGH 2"



\* DISTANCE TO BE OF ADEQUATE SIZE TO ALLOW ACCESS FOR MAINTENANCE, TESTING OR REMOVAL OF BACKFLOW DEVICE.

#### MINIMUM CLEARANCES

PLAN VIEW



FOR FIRE SERVICES, APPROVAL GRANTED BY:

PUBLIC WORKS INSPECTOR	FIRE DEPARTMENT INSPECTOR
---------------------------	------------------------------

#### ABOVE GROUND INSTALLATION

#### NOTES:

1. All construction shall be in accordance with the District's Construction Standards.
2. Above ground enclosures per Section 132.25 shall be required on all backflow devices. Insulation jackets may only be used alone with prior approval from the District's Engineer.
3. No connection, outlet, Tap, or Tee is allowed between the water main and the backflow device.
4. All above ground piping installations, 2" & smaller, shall be rigid copper or brass pipe.
5. All piping passing through a slab shall pass through a PVC sleeve for the full thickness of the slab, the sleeve shall have a diameter of 1/2 inch larger than that of the pipe.
6. Backflow device shall be located 3' maximum from the back of the meter.
7. All backflow devices shall be inspected and tested upon initial installation by a certified Backflow Tester (AWWA or ABPA).
8. When any type of check valve is installed on a domestic water system making it a closed system, the installation of an expansion chamber on the water heater is required by law (U.P.C. Sec. 1007).