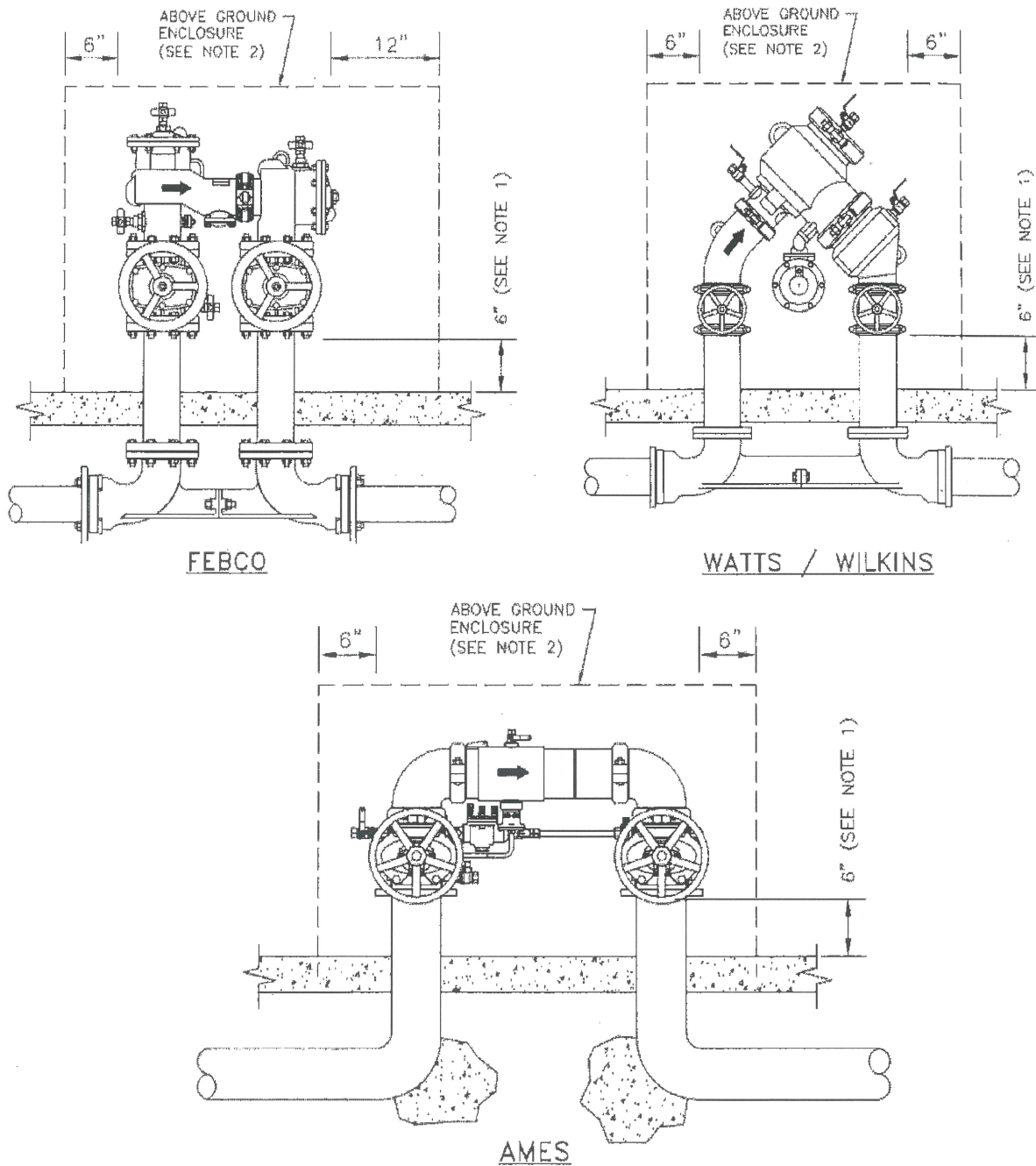


SECTION 131.20

BACKFLOW PREVENTION ASSEMBLY – “N” PATTERN



NOTES:

1. Valve handles shall be installed exactly six inches above enclosure mounting slab.
2. All Backflow Devices shall be placed in an approved enclosure per Section 132.30.