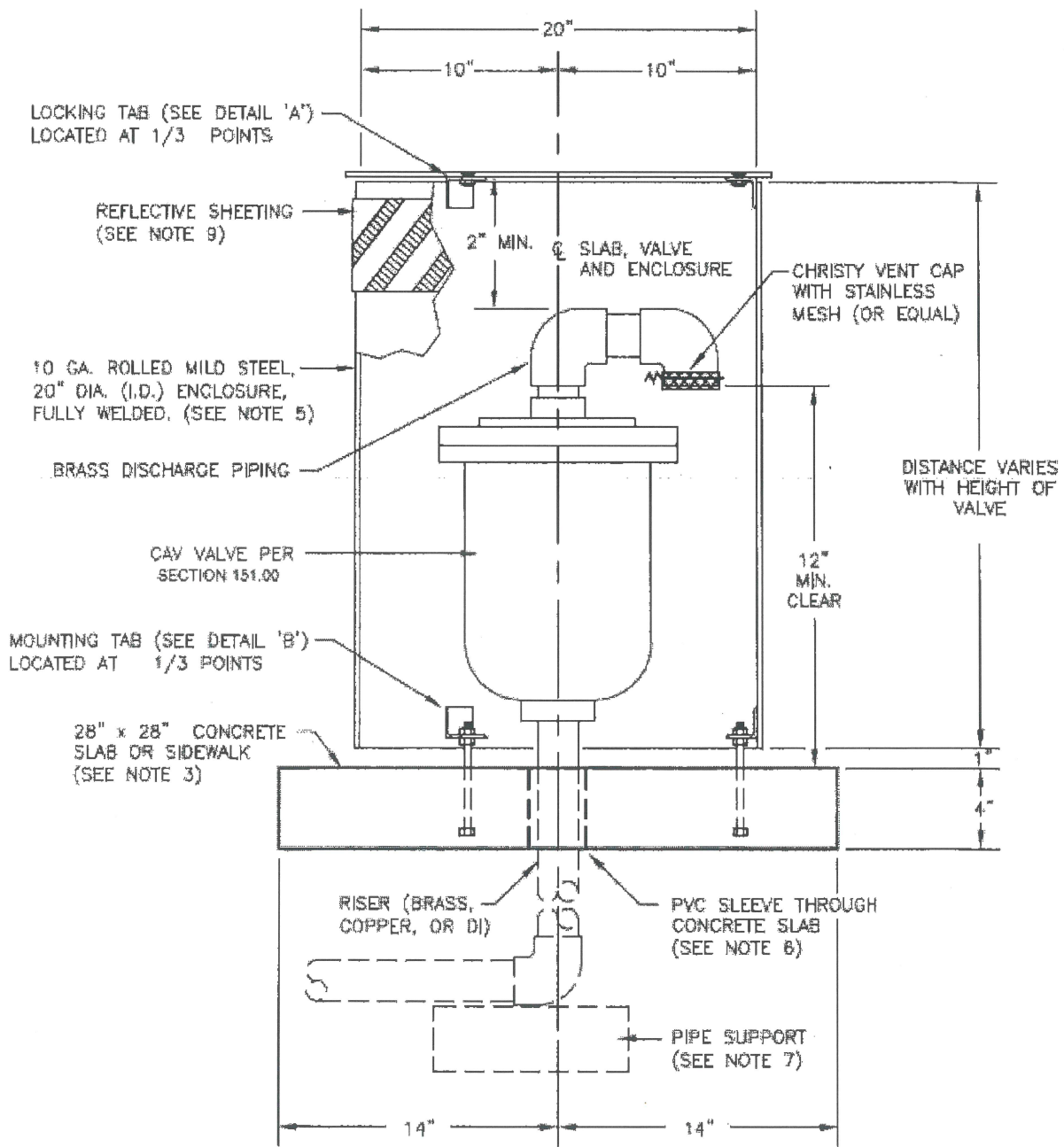


SECTION 151.10

COMBINATION AIR VALVE (CAV) ENCLOSURE DETAIL



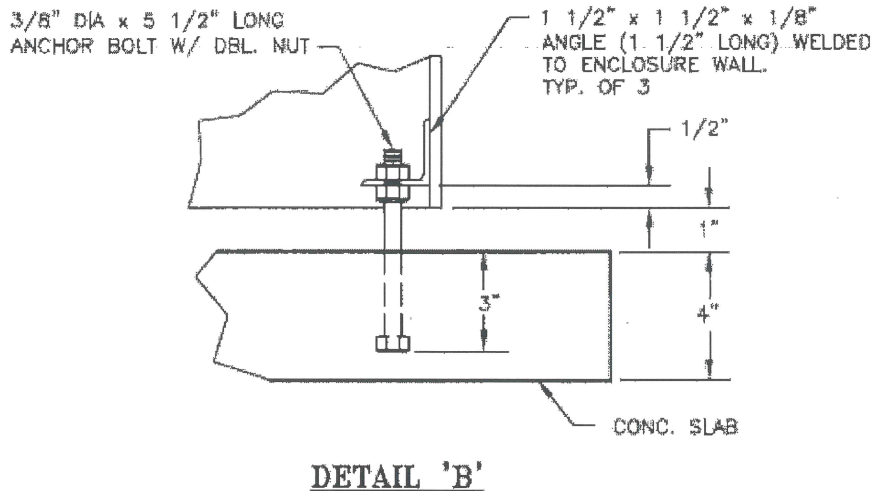
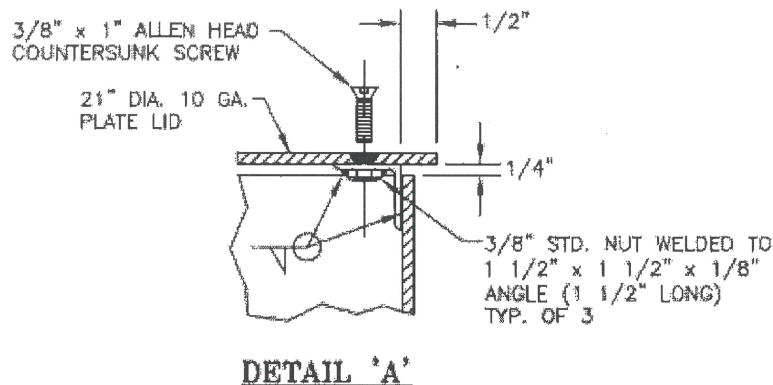
Section 151.10 – Combination Air Valve – Enclosure
August 19, 2020
Centerville CSD

Approved:


District Manager

SECTION 151.10

COMBINATION AIR VALVE (CAV) ENCLOSURE DETAIL - PAGE 2



NOTES:

1. This standard to be used in conjunction with Section 151.00 or as specified by the District's Engineer.
2. All services per materials list, Section 100.00
3. Concrete to be per Section 100.01.
4. All bolts, nuts, etc. to be galvanized.
5. All metal surfaces not galvanized shall be painted with olive green powder coat paint.
6. Place PVC pipe sleeve through slab. Pipe sleeve size shall be 1/2" larger than riser.
7. Provide concrete support of adequate size to support weight of air valve.
8. Enclosure design is for 2", 3" & 4" valves. For 6" & 8" valves, enclosure must be enlarged to accommodate larger valves.
9. Reflective sheeting shall be installed at top of exterior sidewall. Wrap sheeting 360° around enclosure. See materials list, Section 100.00.
10. All above grade piping and CAV shall be wrapped with adequate pipe insulation to prevent freezing. Method shall require prior approval of the District's Engineer.