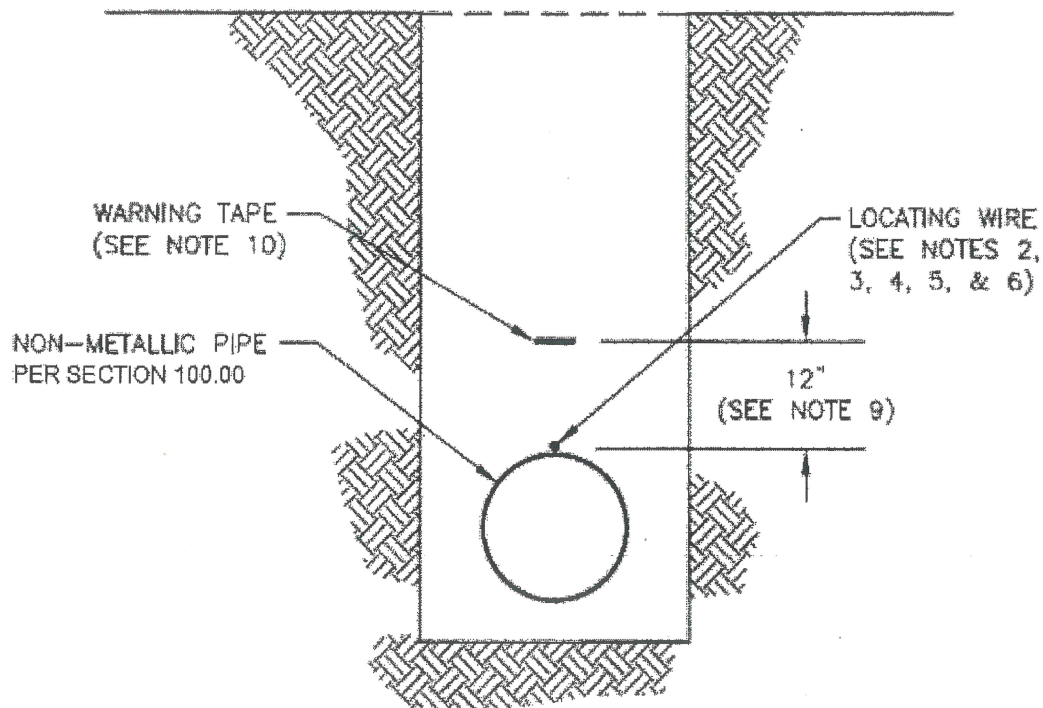


## SECTION 208.00

### LOCATING WIRE & WARNING TAPE

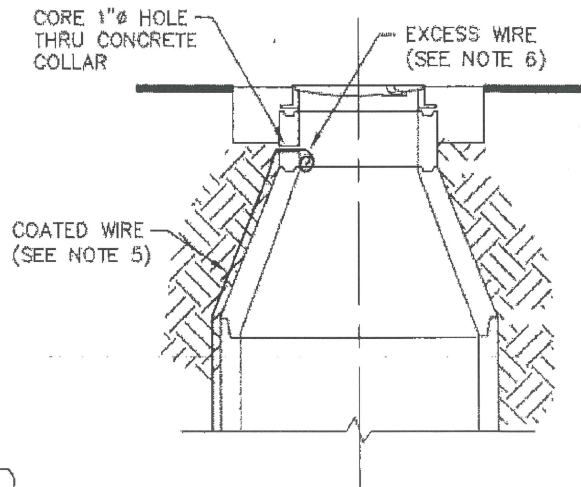
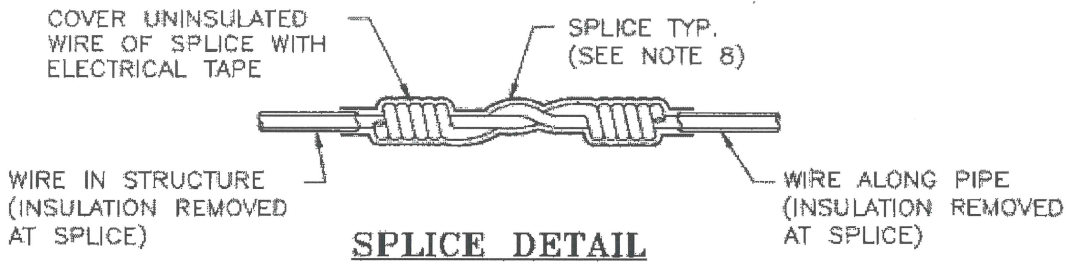


### TYPICAL TRENCH

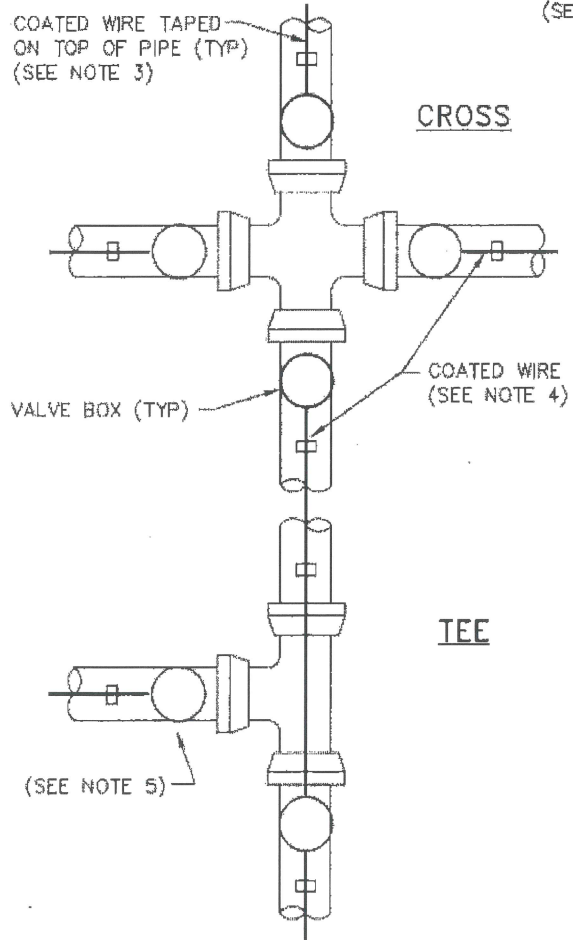
END VIEW

#### NOTES:

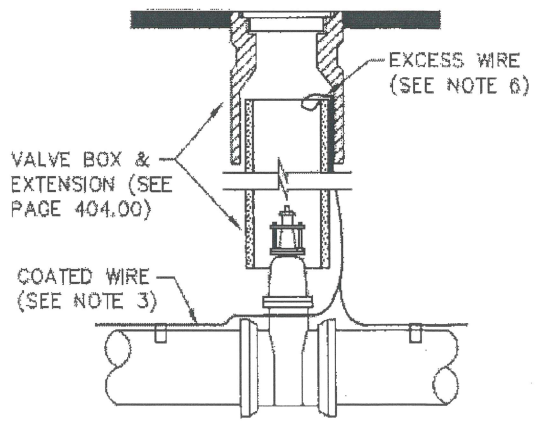
1. Locating wire shall be installed with all non-metallic mains and off-street fire services and hydrants.
2. Wire shall be blue coated (water) or green coated (sew/storm) #10 AWG solid copper.
3. Wire shall be placed on top of pipe, attached to the pipe w/ Duct Tape @ 10' O.C.
4. Wire shall be continuous between structures, except where water valve boxes are within ten (10) feet of pipe intersection.
5. Wire shall not touch metallic structures, valves, or fittings (maintain 3 inches clear distance).
6. Wire shall be placed within 6"-12" of top of structures and with sufficient excess to allow for above ground connection to locating equipment (two-foot minimum).
7. All valves, including fire hydrant valves, shall have locating wires.
8. All splice installations shall be within a structure.
9. All non-metallic utility main installations outside of the public right-of-way shall include locating warning tape installed 12 inches above the main and shall be unbroken the entire run of the pipe.
10. Tape shall be 2-inch wide detectable metallic warning tape, color coded and imprinted appropriate to the material to be contained within the pipe (e.g. potable water, raw sewage) (i.e. "caution - buried water line below").



**DETAIL AT MANHOLE**



**TYPICAL WATER LAYOUT**



**DETAIL AT WATER VALVE**