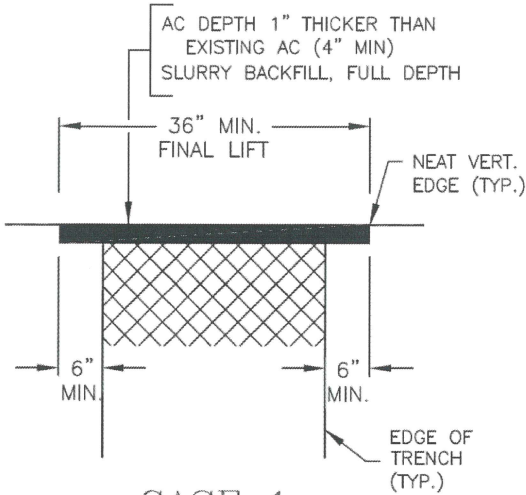


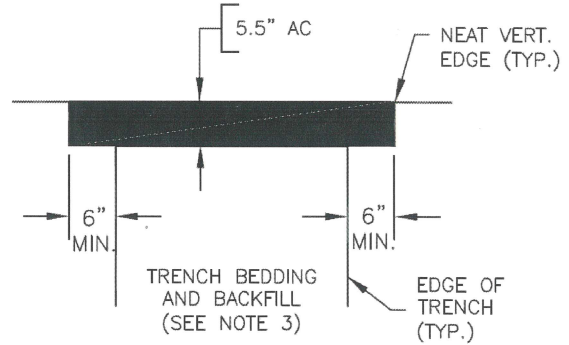
SECTION 211.00

TRENCH RESURFACING DETAILS



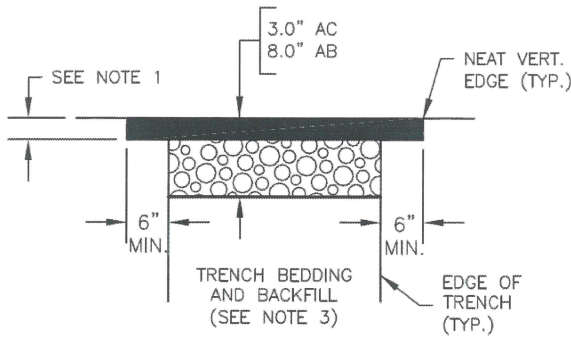
CASE 1

CASE '1' REQUIRED ON ALL ARTERIALS AND COLLECTORS

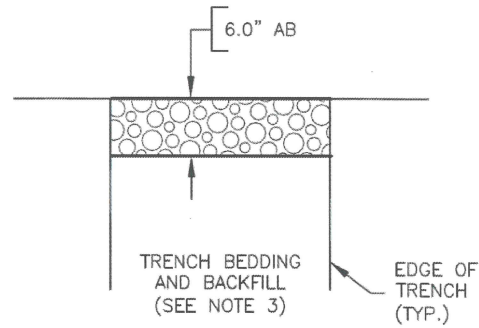


CASE 2

FULL DEPTH AC PAVEMENT OPTION



CASE 3



CASE 4

UNIMPROVED AREAS

DEFINITIONS:

AB - AGGREGATE BASE
AC - ASPHALT CONCRETE

AC THICKNESS	PAVING LIFTS
0 - 2.5"	1 LIFT
2.6 - 5.0"	2 LIFTS
5.1 - 7.5"	3 LIFTS
> 7.5"	2.5" PER LIFT

NOTES:

1. Except as noted in Case 1, minimum thickness of AC Resurfacing is three (3) inches or match existing thickness, whichever is greater.
2. For trench bedding, see Section 209.00 and for trench backfill see Section 210.00.
3. For required compaction density and testing frequency, see Section 201.00.
4. For any trench cut within two (2) feet of the edge of pavement and/or an existing pavement repair, the existing AC shall be removed and resurfaced to the edge of the adjacent feature.

5. Any pavement delineation and/or markings removed during trenching operations shall be replaced in kind as thermoplastic striping at 90 MIL (min) and markings at 120 MIL (min) thick.
6. Trench Surfacing requirements may be dictated by a project-specific encroachment permit issued by the City of Redding and/or Shasta County. In these cases, District standards may not apply.